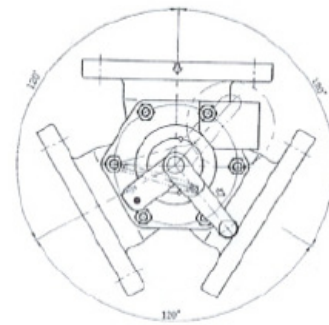
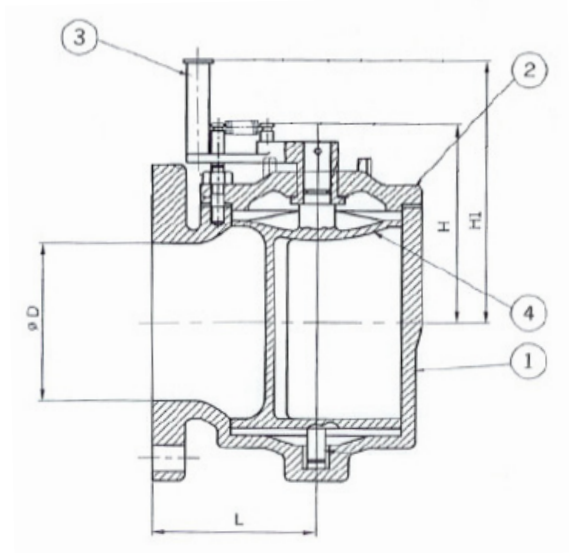




# MARINE SOIL LINE BRANCH VALVE

Manufactured in accordance to JIS F7400



| No. | Component     | Material        |
|-----|---------------|-----------------|
| 1   | Body          | Cast steel      |
| 2   | Bonnet        | Cast steel      |
| 3   | Operating bar | Stainless steel |
| 4   | Cylinder      | Bronze          |

|                      |                          |
|----------------------|--------------------------|
| Inside paint spec    | Tar free epoxy           |
| End connection       | JIS 5kgf/cm <sup>2</sup> |
| Hydraulic inspection | 0.2Mpa                   |

| Size | D   | L   | H   | H1  | Kg   |
|------|-----|-----|-----|-----|------|
| 50A  | 50  | 70  | 90  | 200 | 20.0 |
| 80A  | 80  | 100 | 130 | 240 | 30.0 |
| 100A | 100 | 110 | 135 | 245 | 34.0 |
| 125A | 125 | 125 | 150 | 260 | 50.5 |
| 150A | 150 | 140 | 170 | 280 | 62.5 |